

Fig. 1

U.S. PATENT OFFICE
 DEPARTMENT OF COMMERCE
 PATENT AND TRADEMARK OFFICE
 WASHINGTON, D.C. 20540
 FORM 1-60
 (GPO: 1963 O-554-201)

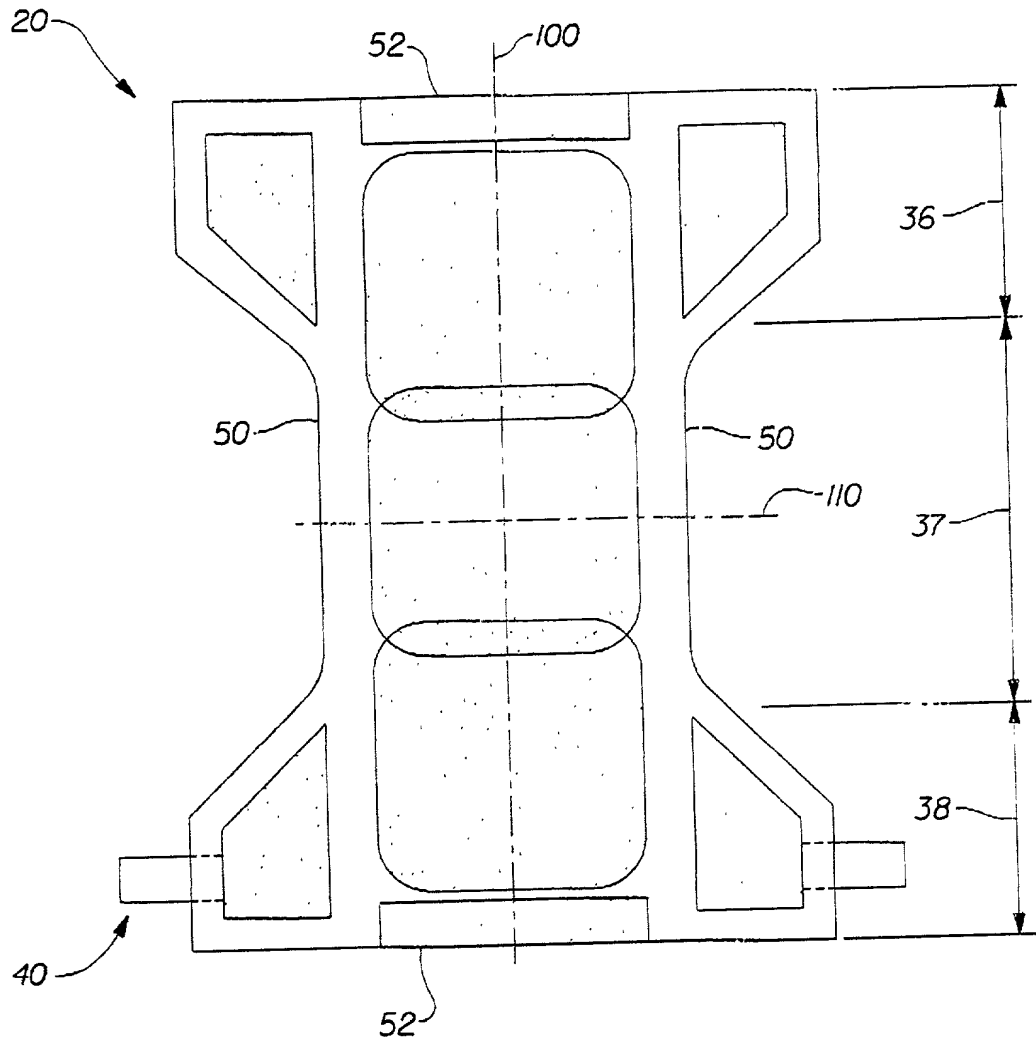


Fig. 2

3/4

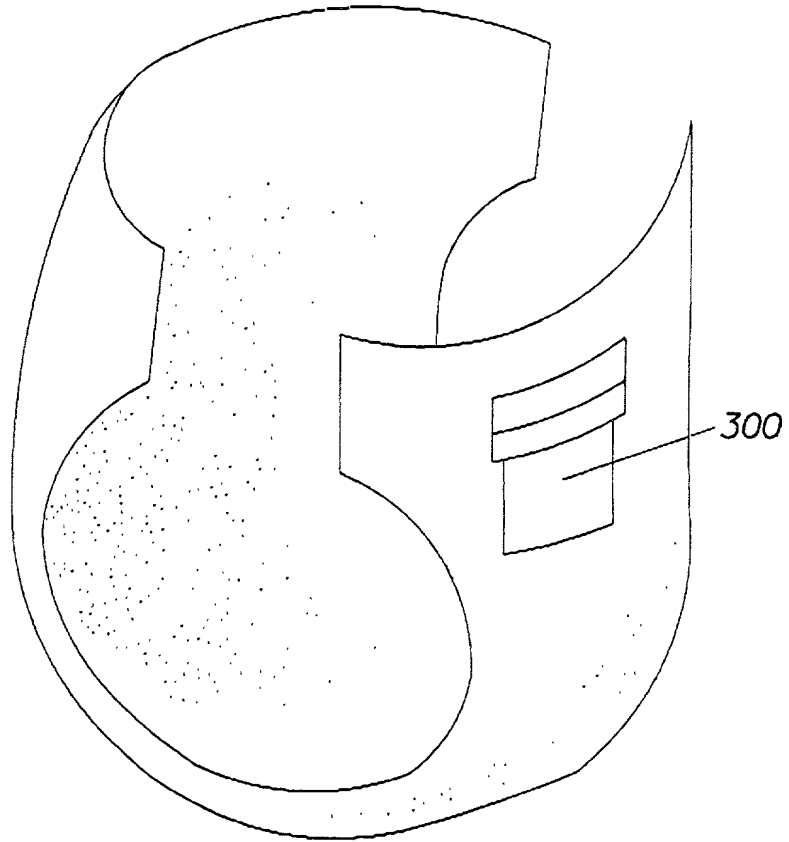
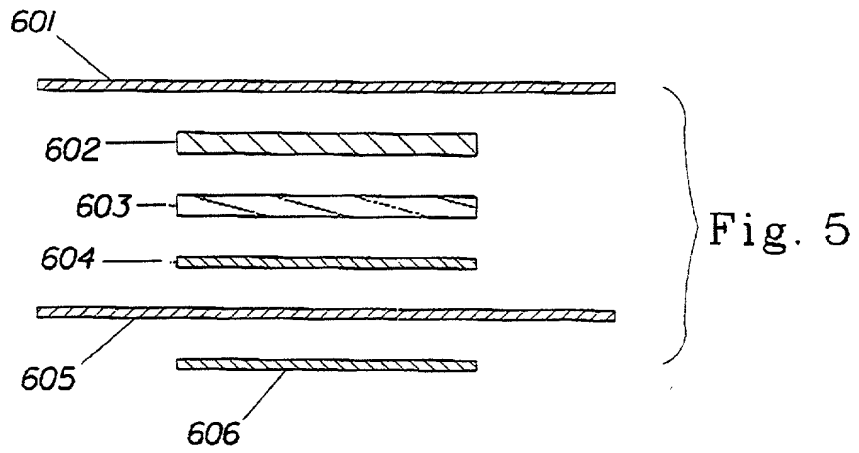
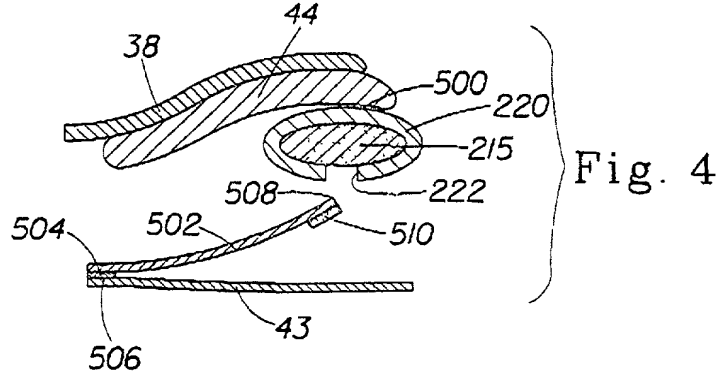


Fig. 3

www.3dmodel.com



www.4mat.com